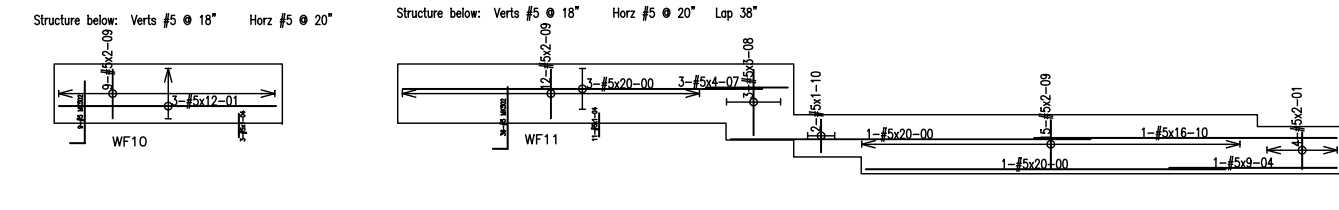
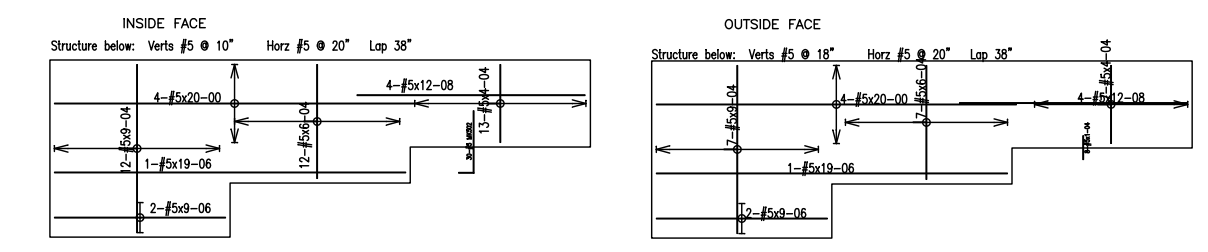
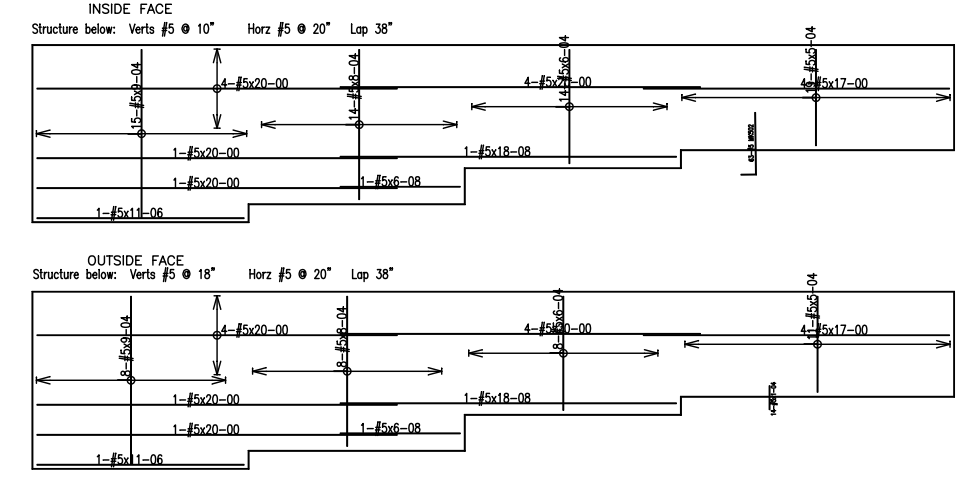
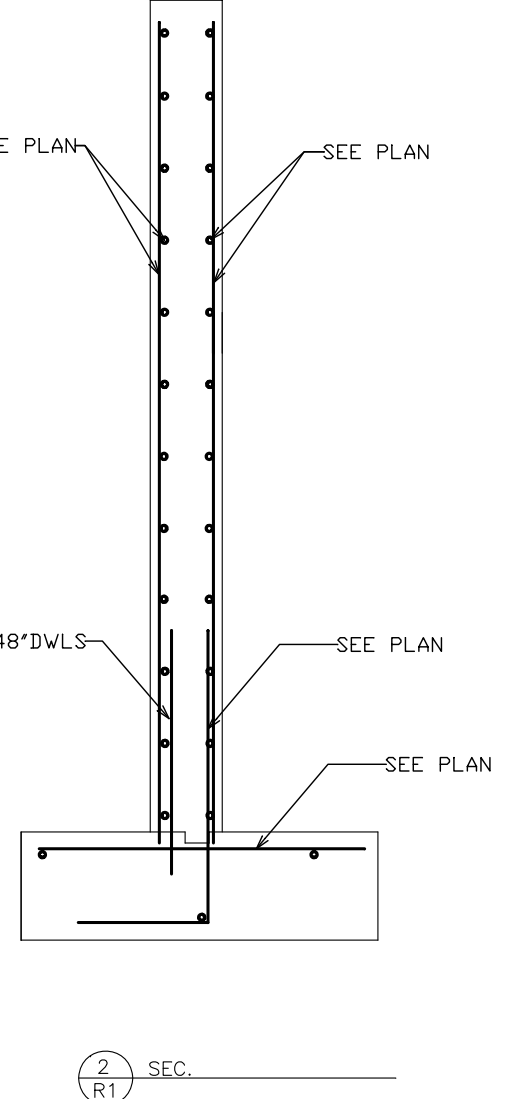
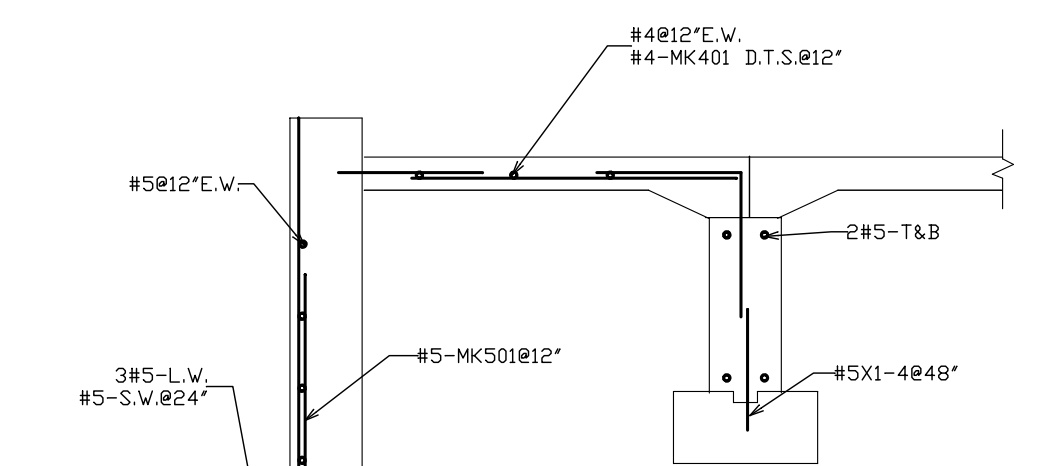
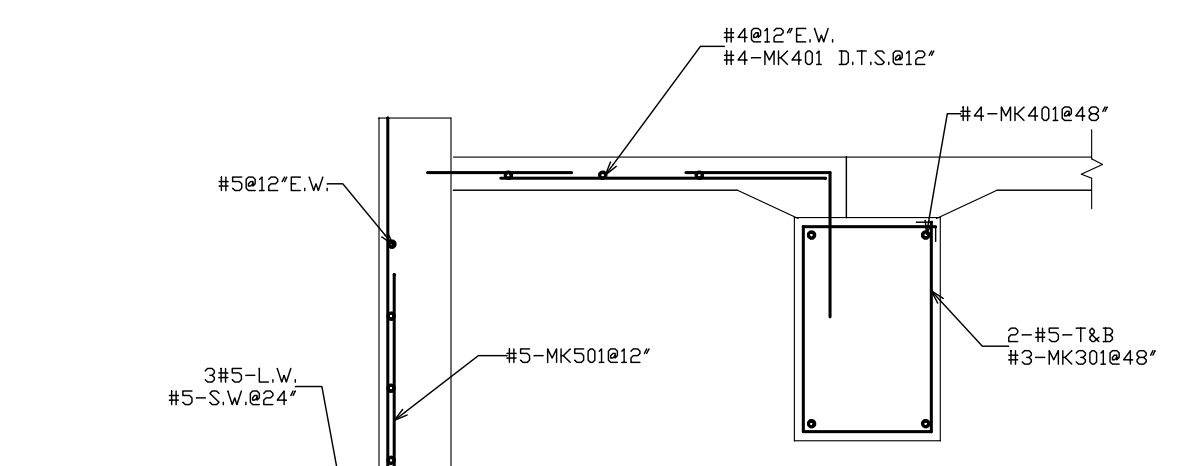
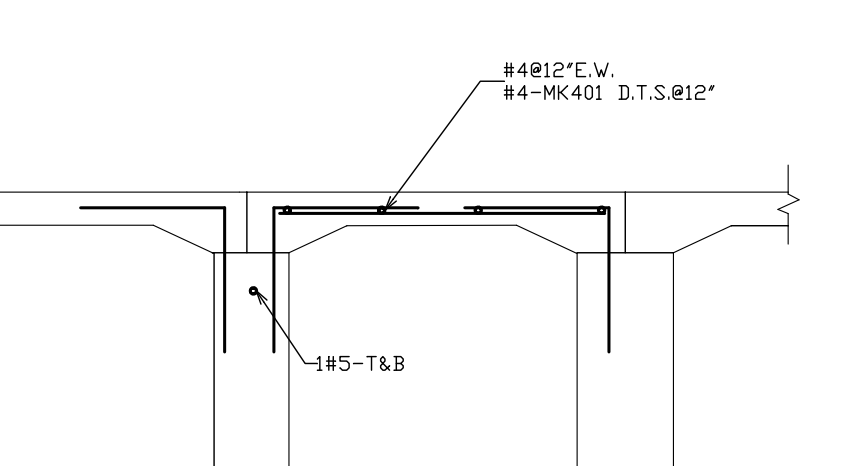
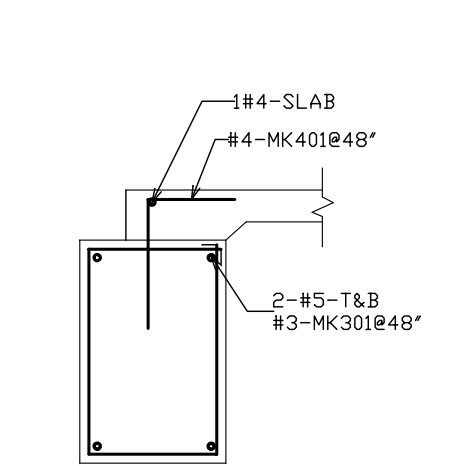
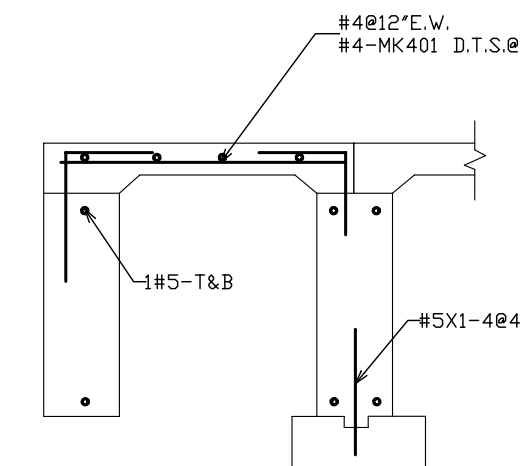
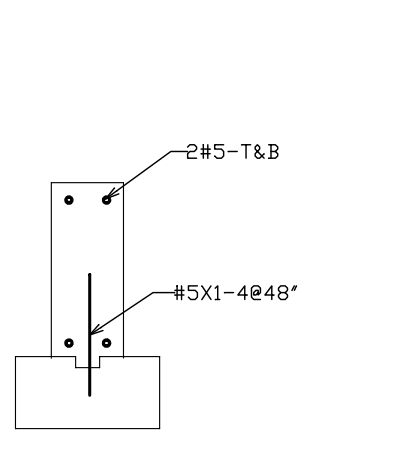
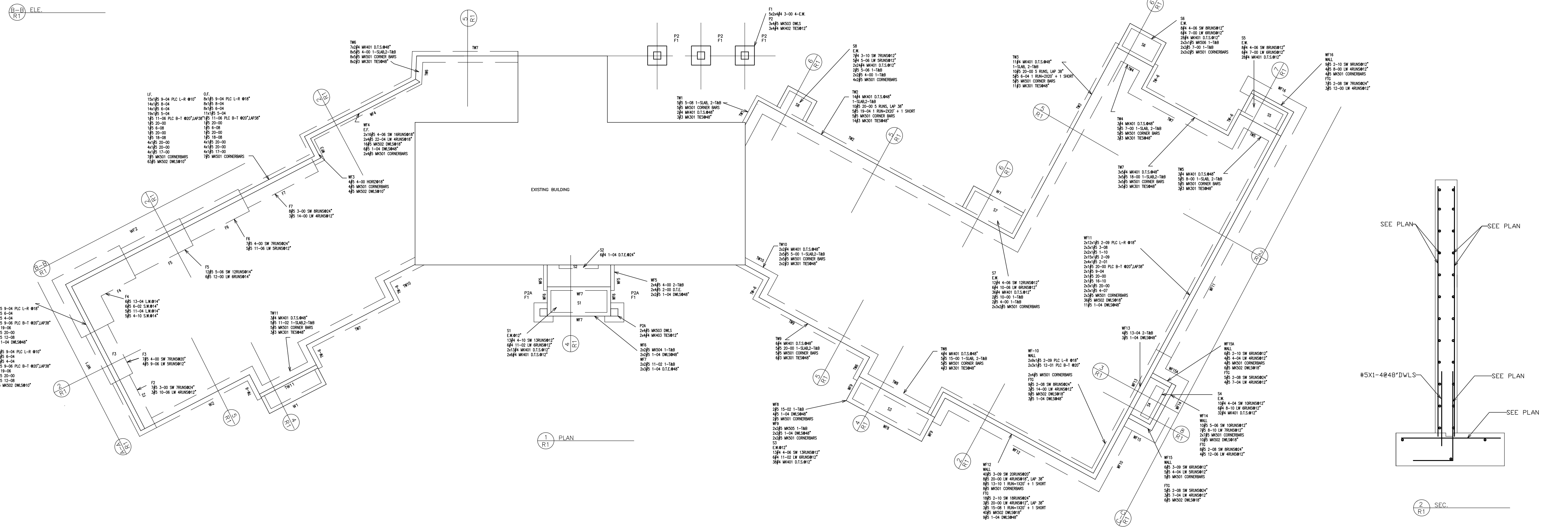


- 1
- 2
- 3
- 4
- 5
- 6
- 7
- 8
- 9
- 10
- 11
- 12
- 13
- 14
- 15
- 16
- 17
- 18
- 19
- 20
- 21
- 22
- 23
- 24
- 25
- 26
- 27
- 28
- 29
- 30
- 31
- 32
- 33
- 34
- 35
- 36
- 37
- 38
- 39
- 40
- 41
- 42
- 43
- 44
- 45
- 46
- 47
- 48
- 49
- 50
- 51
- 52
- 53
- 54
- 55
- 56
- 57
- 58
- 59
- 60
- 61
- 62
- 63
- 64
- 65
- 66
- 67
- 68
- 69
- 70
- 71
- 72
- 73
- 74
- 75
- 76
- 77
- 78
- 79
- 80
- 81
- 82
- 83
- 84
- 85
- 86
- 87
- 88
- 89
- 90
- 91
- 92
- 93
- 94
- 95
- 96
- 97
- 98
- 99
- 100



| BEND SCHEDULE | | | | | | | | | | | | | | |
|---------------|--------|------|------|---|---|---|---|---|-----|---|---|---|---|---|
| SIZE | LENGTH | MARK | TYPE | A | B | C | D | E | F/R | G | J | O | H | K |
| #5 | 5-00 | 501 | 17 | | | | | | | | | | | |
| #5 | 4-04 | 502 | 12 | | | | | | | | | | | |
| #5 | 5-04 | 503 | 12 | | | | | | | | | | | |
| #5 | 6-00 | 504 | 17 | | | | | | | | | | | |
| #5 | 7-00 | 505 | 17 | | | | | | | | | | | |
| #5 | 6-06 | 506 | 17 | | | | | | | | | | | |
| #4 | 4-00 | 401 | 17 | | | | | | | | | | | |
| #4 | 4-09 | 402 | 12 | | | | | | | | | | | |
| #4 | 6-01 | 403 | 12 | | | | | | | | | | | |
| #3 | 7-04 | 301 | 12 | | | | | | | | | | | |



- ABBREVIATIONS
- ADDL - ADDITIONAL
 - ALT - ALTERNATE
 - BTM - BOTTOM
 - BROW - BROW BEAM
 - CB - CORNER BAR
 - CL - CLEAR
 - CONT. - CONTIGUOUS
 - DAG - DIMENSIONAL
 - DTS - DOWEL TO SLAB
 - DWL - DOWEL
 - DVERT - DOWEL VERTICAL
 - EC - EACH FACE
 - EW - EACH WAY
 - FF - FINISH FACE
 - FTG - FOOTING
 - HOR - HORIZONTAL
 - IF - INSIDE FACE
 - LONG - LONGITUDINAL
 - LW - LONG WAY
 - MOW - MASONRY
 - MVERT - MASONRY VERTICAL
 - NF - NEAR FACE
 - OC - ON CENTER
 - OF - OUTSIDE FACE
 - OS - OVER LAP
 - SIP - SILLING
 - SINKER - SINKER
 - SW - SHORT WAY
 - TAB - TOP & BOTTOM
 - TOP - TOP
 - T/L - TOP OF LEDE
 - T/P - TOP OF PIER
 - T/S - TOP OF SLAB
 - T/W - TOP OF WALL
 - TRN - THICKENED SLAB
 - TRN - THICKENED
 - UNO - UNLESS NOTED OTHERWISE
 - VERT - VERTICAL

BLACK BAR GRADE OF STEEL = A615
EPOXY BAR GRADE OF STEEL = A775,
AASHTO M284-01, ASTM D3963-01

DRAWING COVERS
RECREATION BUILDING
PROJECT
PRENTISS CREEK
LOCATION
2110 PRENTISS DR. DOWNERS GROVE, IL. 60516
ARCHITECT
KURTZ ASSOCIATES ARCHITECTS
GEN. CONTR. ROUTE 66 CONSTRUCTION
DRAWN BY
REF DWG'S
S100-S200
PRD
R1.0

Owens
REBAR - FORMS - SUPPLIES
Painfield, IL
1-630-596-9999

DATE
DRAWING STATUS
APPROVAL 5/14/2012

TAG
COLOR
DESCRIPTION
2350F-M

Shortages, improper fabrication or claims for any reason must be reported to Owens Supply Co. within a period of 5 days of delivery. Owens Supply Co. will not honor charges for work done in the field without specific authorization. This drawing is to be used for the pricing of Owens Supply steel and not reproduced or modified without permission.

AS THE AMERICAN STEEL INDUSTRY CHANGES FROM IMPERIAL TO METRIC, OWENS SUPPLY MAY SUBSTITUTE SOFT METRIC SIZE REINFORCING.

| IMPERIAL | METRIC |
|----------|--------|
| #8 | #25 |
| #9 | #28 |
| #10 | #32 |
| #11 | #36 |
| #12 | #40 |
| #14 | #45 |
| #16 | #50 |
| #18 | #55 |
| #20 | #60 |
| #22 | #65 |
| #24 | #70 |
| #26 | #75 |
| #28 | #80 |
| #30 | #85 |
| #32 | #90 |
| #36 | #100 |
| #40 | #110 |